

FMT AGX SERIES
FLOOR MOUNTED DIGITAL RADIOGRAPHIC SYSTEMS

Quality.
Flexibility.
Value.



Entire system fits in a space as small as 13ft x 6ft (1.8m x 4m)

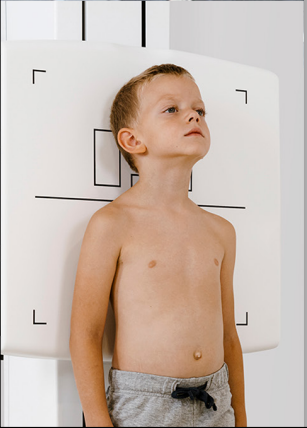
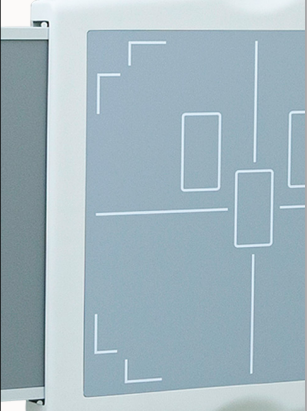
Low table and wall bucky positioning

Intuitive generator interface

Seamless integration



*Contact sales for warranty information.
Does not cover X-Ray tube





The full featured, capable and versatile FMTAGX Series of X-Ray Suites is designed to meet the needs of small to midsize imaging centers and clinics.

A powerful system within a compact footprint.

System configurations

All systems include: AGFA NX workstation with Musica 3 Image processing, XD14 wireless detector, Software licenses for advanced measurement tools, wireless router, Spellman HFe generator with single console integration.



- Image Processing: Musica 3 multiscalar processing engine
- Workstation: HP RP5810 Windows 10 w/ RAID1 array
- Detector: XD14 (XD17 option available)
- Active Area: XD14: 14" x 17" (43cm x 36cm)
XD17 option: 17" x 17" (43cm xy 43cm)
- Cassette Size: XD14
- Battery: 2 included with docking charger
- Wireless: Yes. Optional tethering & charging kit available
- Conversion Screen: Cesium Iodide
- Drop protection: Optionally available

Available system packages

FMT40AGX 40kW

- 40kW HFe radiography generator for 1Ø 208/230VAC, 3Ø 208/230VACØ or 3Ø 400/480VAC mains
- Low Speed Starter
- Interface for AEC PCB
- Mini-console and handswitch
- Canon/Toshiba E7242X or FX X-Ray tube

FMT50AGX 50kW

- 50kW HFe radiography generator for 3Ø 208/230VAC or 3Ø 400/480VAC mains
- Dual Speed Starter
- Interface for AEC PCB
- Mini-console and handswitch
- Canon/Toshiba E7252X or FX X-Ray tube

FMT65AGX 65kW

- 65kW HFe radiography generator for 3Ø 400/480VAC mains
- Dual Speed Starter
- Interface for AEC PCB
- Mini-console and handswitch
- Canon/Toshiba E7252X or FX X-Ray tube

FMT80AGX 80kW

- 80kW HFe radiography generator for 3Ø 400/480VAC mains
- Dual Speed Starter.
- Interface for AEC PCB
- Mini-console and handswitch
- Canon/Toshiba E7254X or FX X-Ray tube (Requires line-matching transformer)

Mechanical specifications

Tube Stand:

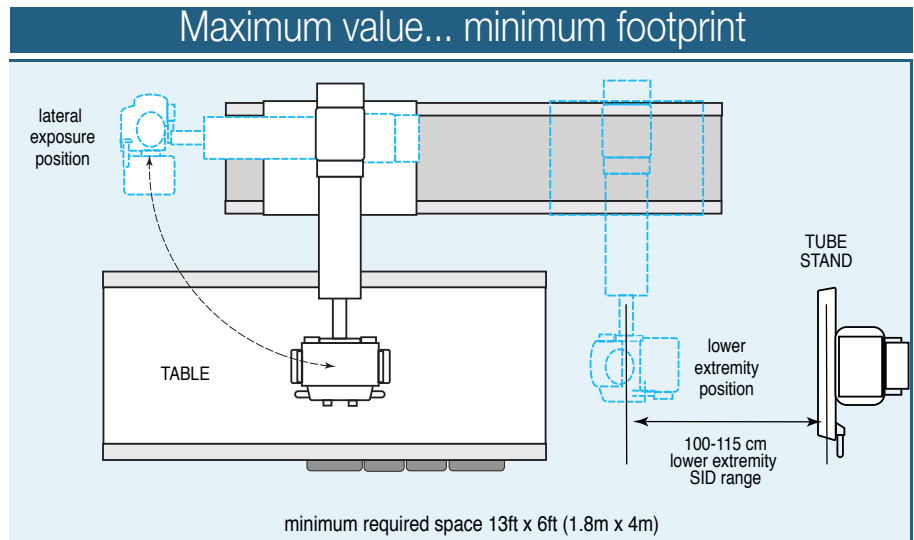
- Vertical travel 60.8 in. (1545mm)
- Min. focus to floor distance: 13.18 in. (335mm)
- Max. focus to floor distance: 74 in. (1880mm)
- Longitudinal travel 6.3 in. (161mm)
- Transverse tube travel +/- 4 in. (102mm)
- Rotation of column +/- 180deg
- Tube rotation 330°

Elevating Table:

- Table top lowest position: 17.7 in. (450mm)
- Table top highest position: 35.4 in. (900mm)
- Dimension of table 86.6 in. x 31.9 in. (2200mm x 810mm)
- Longitudinal travel: toward head 19.7 in. (500mm)
toward foot 23.6 in. (600mm)
- Transverse travel +/- 4.9 in. (125mm) from center
- Table top to detector entrance 2.76 in. (70mm)
- Table weight limit 660lbs (300kg)
- Antiscatter grid Smit Roentgen 132lp/in 10 to 1 ratio. Carbon interspaced. 34 in. to 44 in. (863mm to 1117mm) range
- Table detector horizontal travel 24 in. (610mm)
- Removable antiscatter grid

Wall Stand:

- Vertical travel 60.24 in. (1530mm)
- Min. center to floor distance: 11.8 in. (300mm)
- Max. center to floor distance: 72.05 in. (1830mm)
- Antiscatter Grid: Smit Roentgen 132lp/in 10 to 1 ratio Carbon interspaced. 40 in. to 72 in. (1000mm to 1800mm) range
- Removable antiscatter grid



FMT AGX SERIES

FLOOR MOUNTED DIGITAL RADIOGRAPHIC SYSTEMS

hfenxintegration@spellmanhv.com

